

- Meet the latest ITU standards
- 4-digital channels available
- Audio output available to VDR
- Type approval with MED, CCS and VR



VDR CONNECTION KIT



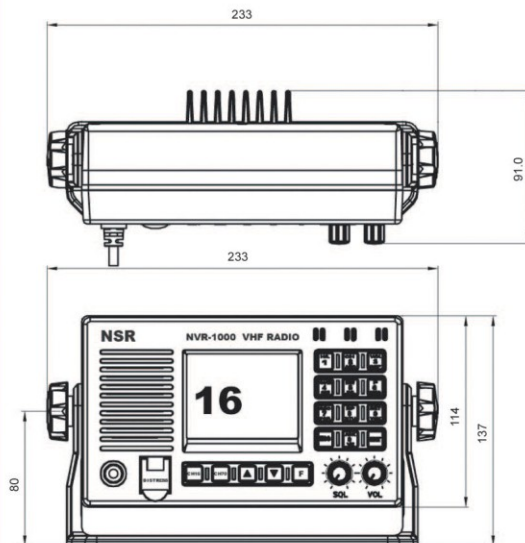
NVR-1000 VHF RADIOTELEPHONE is a high performance VHF device, capable of voice communication and DSC (digital selective calling) facilities as well. Conforming to Class A standard set for VHF DSC by ITU and IMO regulation, NVR-1000 can be part of onboard GMDSS package for vessels of A1, A2 or A3. Output for (S) VDR is also available on NVR-1000. NVR-1000 conforms to the regulations of ITU Regulation Appendix 18 (revised on WRC-12), IMO MSC.1/Circ.1460, ITU-R M.493-14, IEC 61097-7, IEC 61097-3.



SPECIFICATIONS

- TX Frequency: 156.025~157.425 MHz
- RX Frequency: 156.050~163.275 MHz
- Working Channel: ITU (65)
- DSC Watch CH: CH70
- TX Power: 25W (high) / 1W (low)
- RX Sensitivity: $\leq 2 \mu V$ (SINAD=20dB)
- Interface
 - GPS Input: RS422, 4800bps
 - VDR Output: 600 Ω balanced
 - Printer I/O: RS232, 4800bps
- Power Supply: 13.8VDC (max 5.5A)
- Size Dimension: 137mm×233mm×91mm (H×W×D)
- Weight: 1.5kg

SIZE DIMENSION



EQUIPMENT LIST

● STANDARD

- Transceiver 1 pc
- Mic 1 pc
- Accessories 1 set

● OPTIONS

- AC/DC PSU 1 pc
- VDR Connection Kit 1 pc
- VHF Antenna 2 pcs
- Flush Mount Brackets 1 set

SYSTEM DIAGRAM

